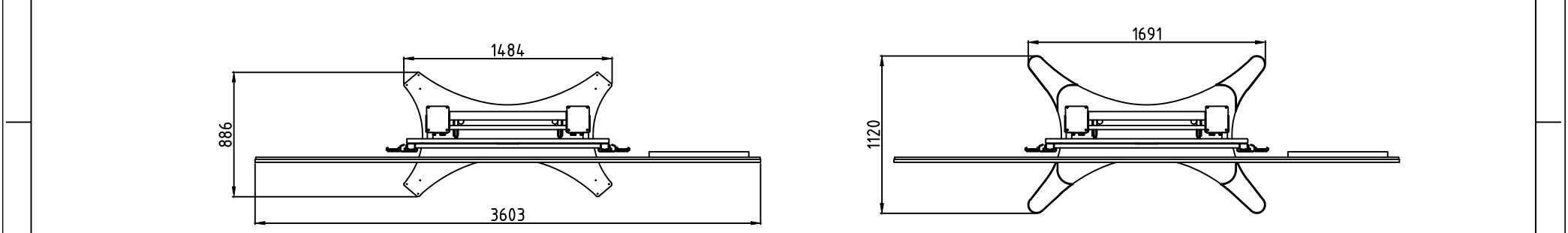
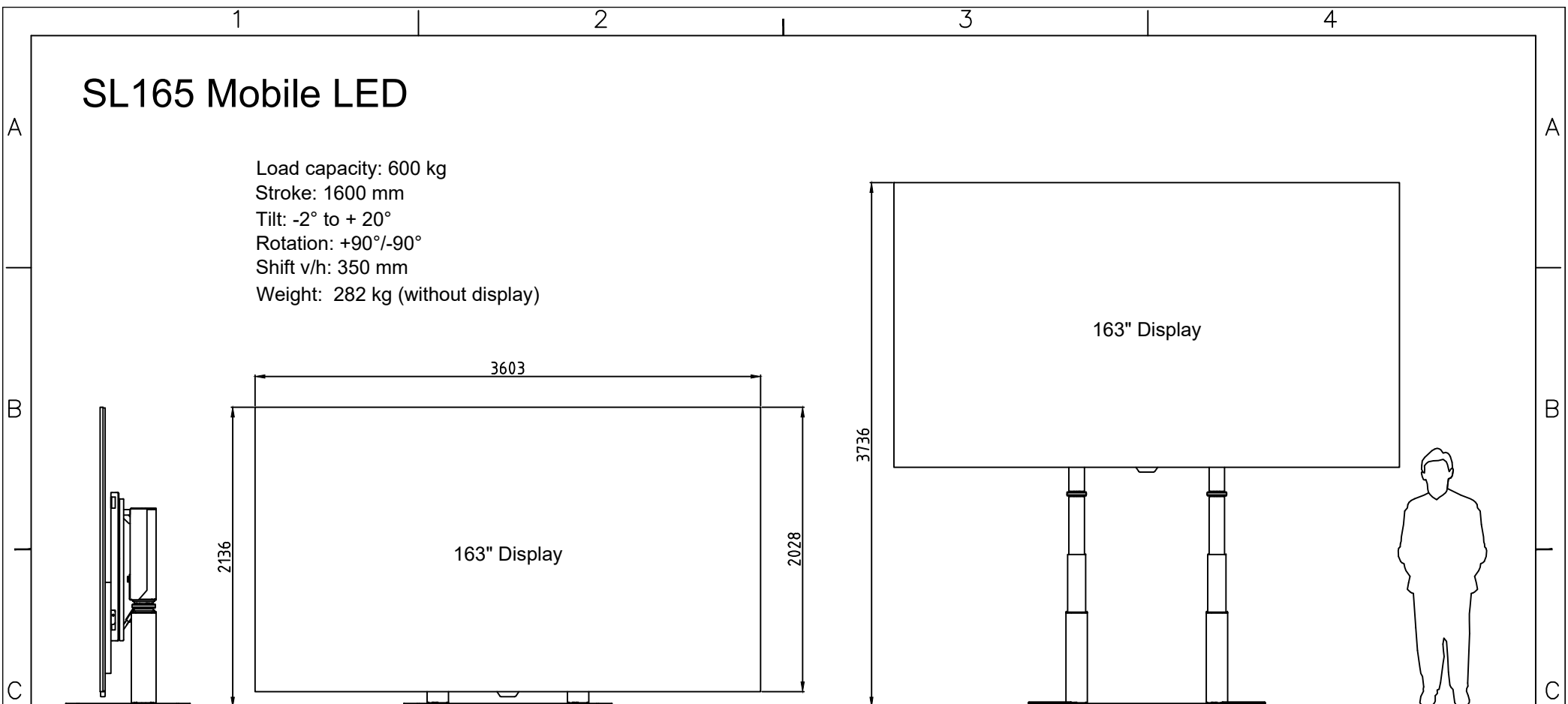


SL165 Mobile LED

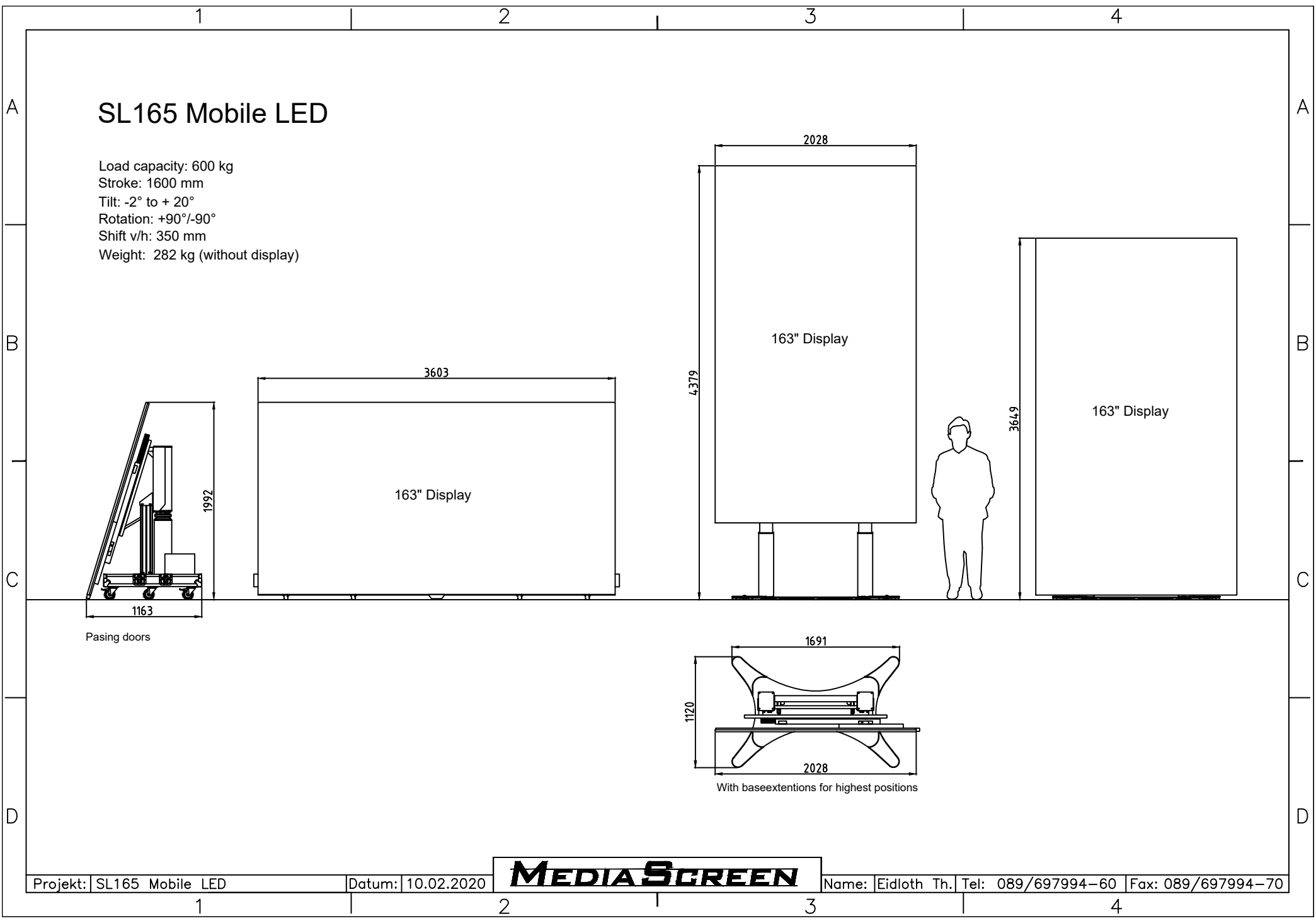
Load capacity: 600 kg
 Stroke: 1600 mm
 Tilt: -2° to +20°
 Rotation: +90°/-90°
 Shift v/h: 350 mm
 Weight: 282 kg (without display)



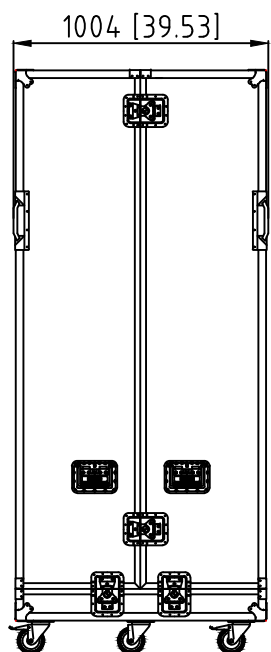
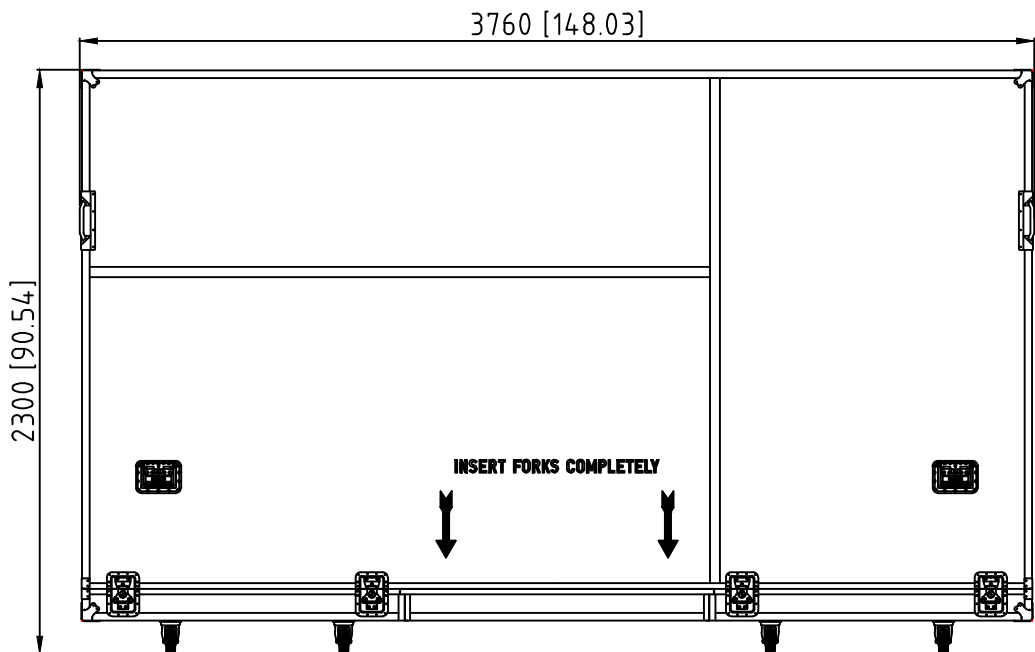
With baseextensions for highest positions

SL165 Mobile LED

Load capacity: 600 kg
 Stroke: 1600 mm
 Tilt: -2° to + 20°
 Rotation: +90°/-90°
 Shift v/h: 350 mm
 Weight: 282 kg (without display)



Case SL165 Mobile LED



Case, empty weight: 325 kg