

ScreenLifter MOBILE LED 130 • 1.5 • Roll in - Unload - Start the Show in less than 3 Minutes!

Handling large LED walls has never been this easy! Gone are the days of tedious and wear-increasing on-site assembly and disassembly. Once assembled, the LED wall can stay attached to the MOBILE LED 130 in storage, for transportation and during the show. On-site deployment is accomplished in less than 3 minutes by two persons (only one needs to be trained).

The ScreenLifter MOBILE LED 130 is delivered in a compact flight case, which allows passage through standard door openings 85 cm in width and 200 cm in height; integrated shock absorbers keep the LED wall safe during transportation and handling. A wheeled dolly is available as an alternative accessory if only "inhouse mobility" is needed.

The ScreenLifter MOBILE LED 130 fully supports the FHDQ 130 display's portrait capability with the built-in swivel feature, which allows two change the orientation from landscape to portrait in seconds. Thanks to the 4-in-1 SMD-QUAD-LED layout, the FHDQ 130 display offers both horizontal and vertical viewing angles of 170°. The picture quality is convincing in landscape as well as in portrait mode.

Optional accessories include bolt-on extensions for the base plate to enlarge the ScreenLifter's footprint, and a special set of brackets that turn the ScreenLifter into an efficient lifting aid for flying the LED wall.

Thanks to the sophisticated flight case design, the MOBILE LED 130 can be loaded onto trucks equipped with standard tail lift gates (without the need for additional aids such as forklifts etc).



Ready in less than 3'



FEATURES & FUNCTIONS

- Electric transport- and positioning system
- Stepless height-adjustable up to 3,17 m
- Tool free set up/ ready to run within 3 min!
- Flight-Case with electric discharge function
- Pack size: 303 (L) x 198 (H) x 82 cm (B)
- Transport: Truck with tail lift
- Doorway: 197 cm x 82 cm (H x B)

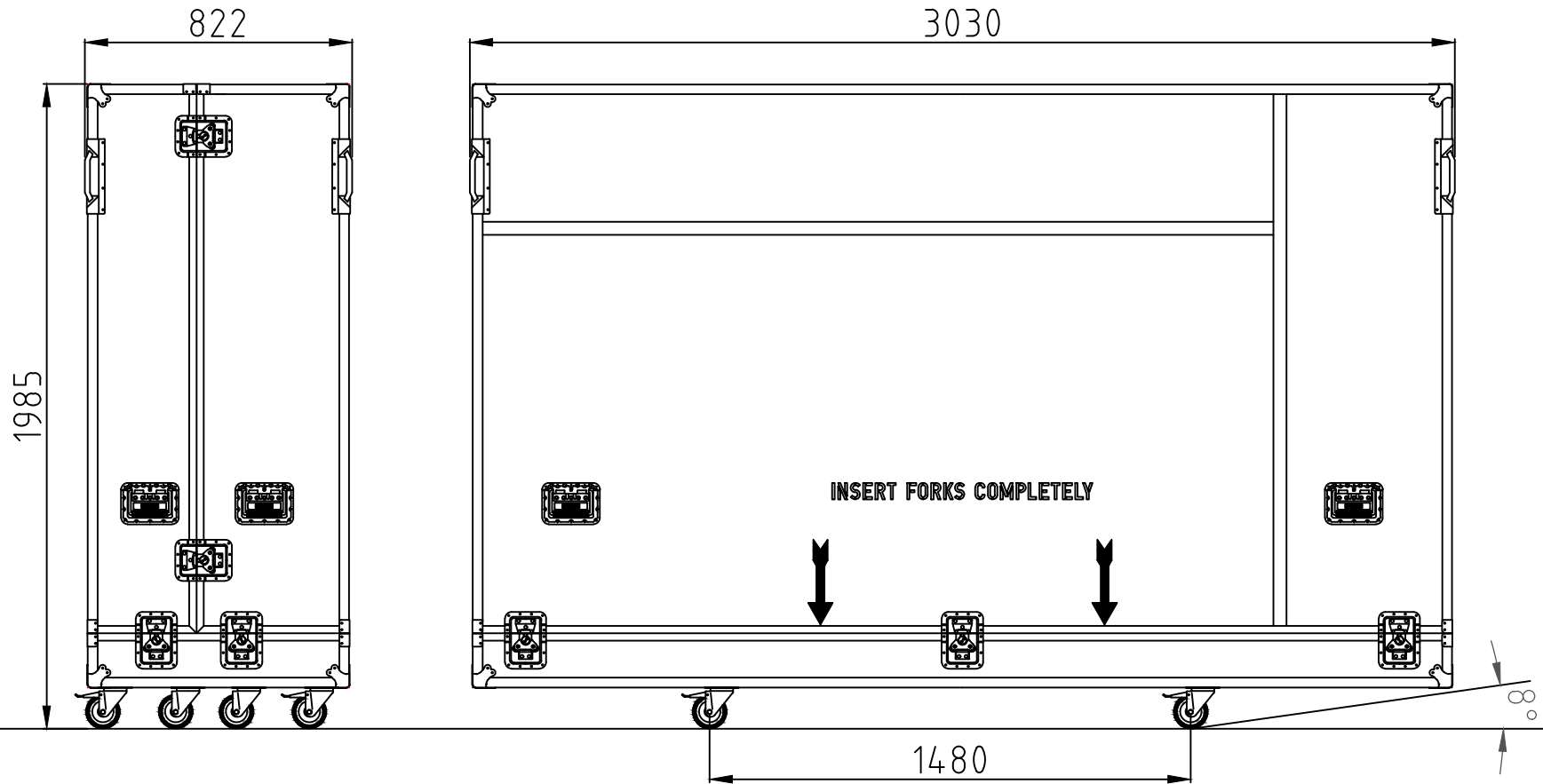
IMAGE PROPERTIES

Screen diagonal	130" / 330 cm
Display size	288 cm (B) x 162 cm (H)
Resolution	1.920 x 1.080 Full-HD
Pixel Pitch	1.5 mm
Brightness	600 cd/m ²
Viewing angel	H 170° / V 170°
Framerate	50/60Hz
Inputs	Dual HDMI, HDBaseT DP, USB
Input voltage	230V AC, 50/60Hz
Power consumption	< 0,5W im Standby-Modus

Case Mobile LED 130

Empty weight 312 kg

Shipping weight 630 kg



ScreenLifter Mobile LED 130

Optoma FHDQ130

A

B

C

D

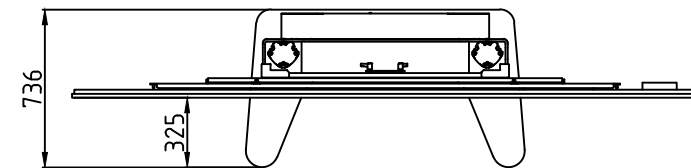
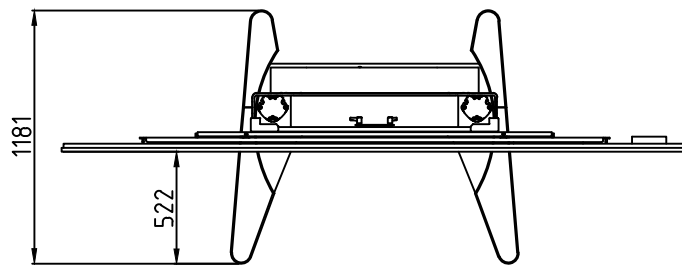
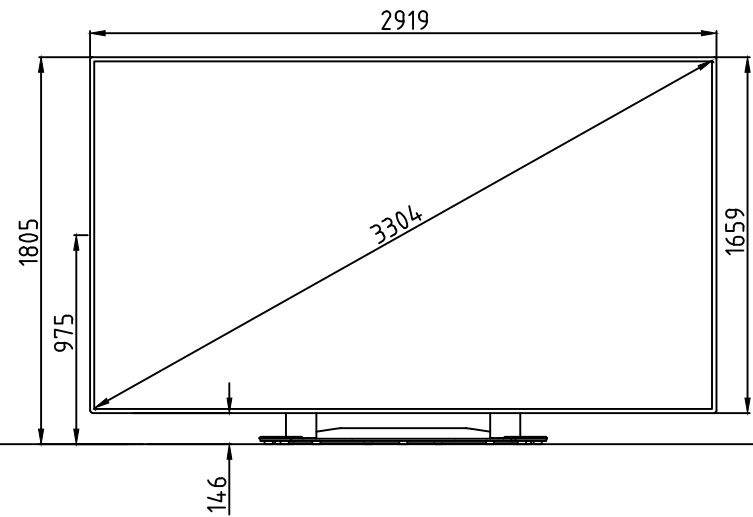
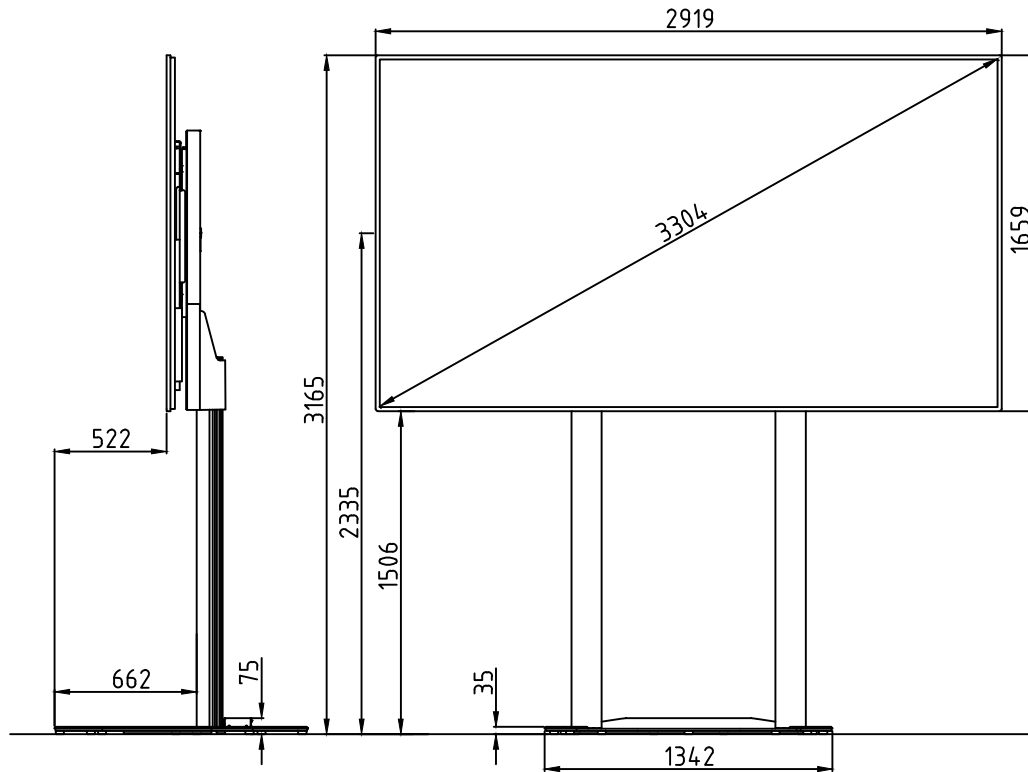
A

B

C

D

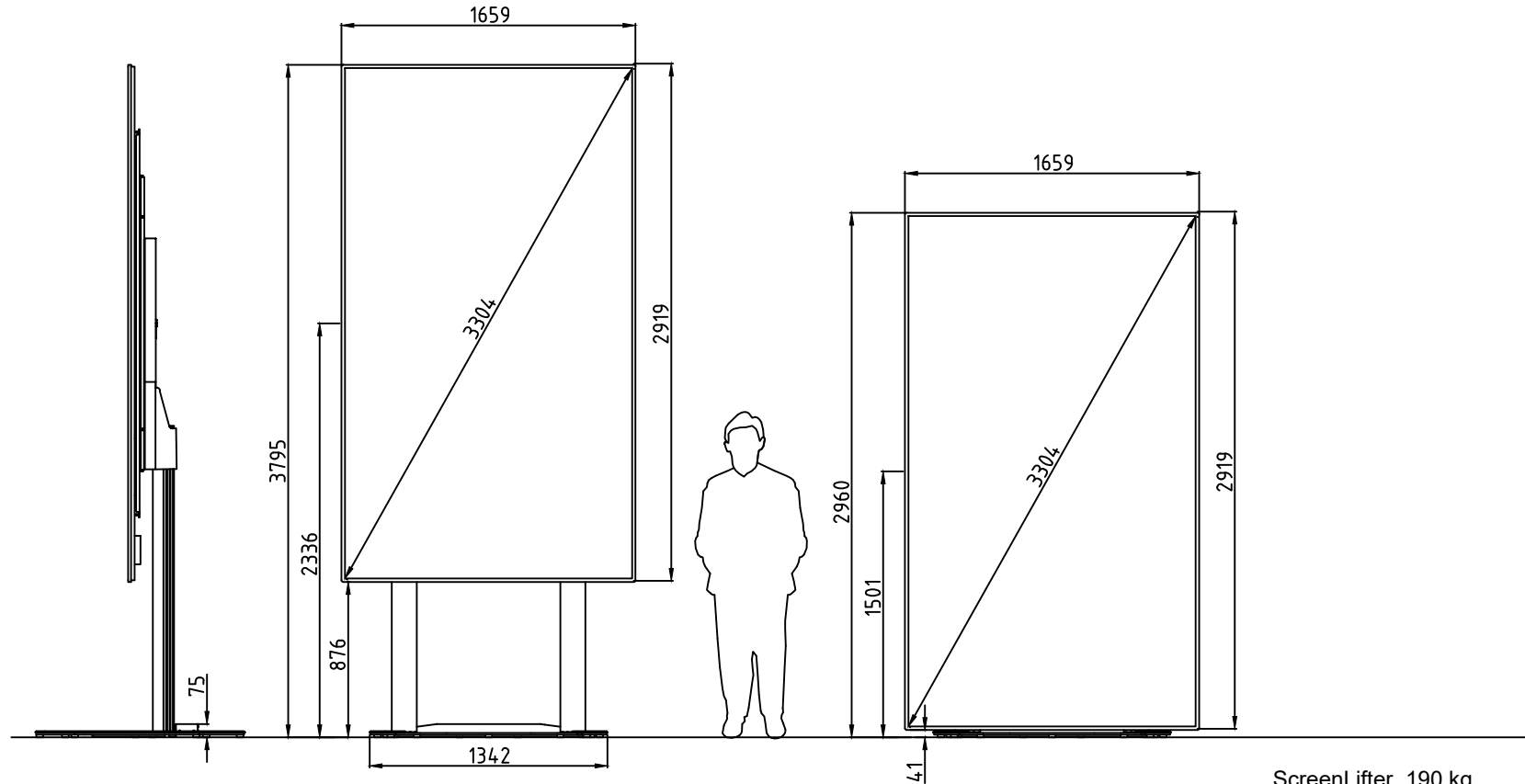
1 2 3 4



1 2 3 4

ScreenLifter Mobile LED 130

Optoma FHDQ130



ScreenLifter 190 kg
Optoma FHDQ130: 125 kg

